

# PLUG & BIM

MAKE IT PLUGGABLE

[WWW.PLUGANDBIM.COM](http://WWW.PLUGANDBIM.COM)

# CONTENT

---

01

WHO WE ARE

---

02

WHAT WE DO

---

03

HOW WE WORK

---

04

WHAT SETS US APART

---

05

HOW WE CAN SUPPORT EACH OTHER

---

06

INTERESTED? CONTACT US!

---

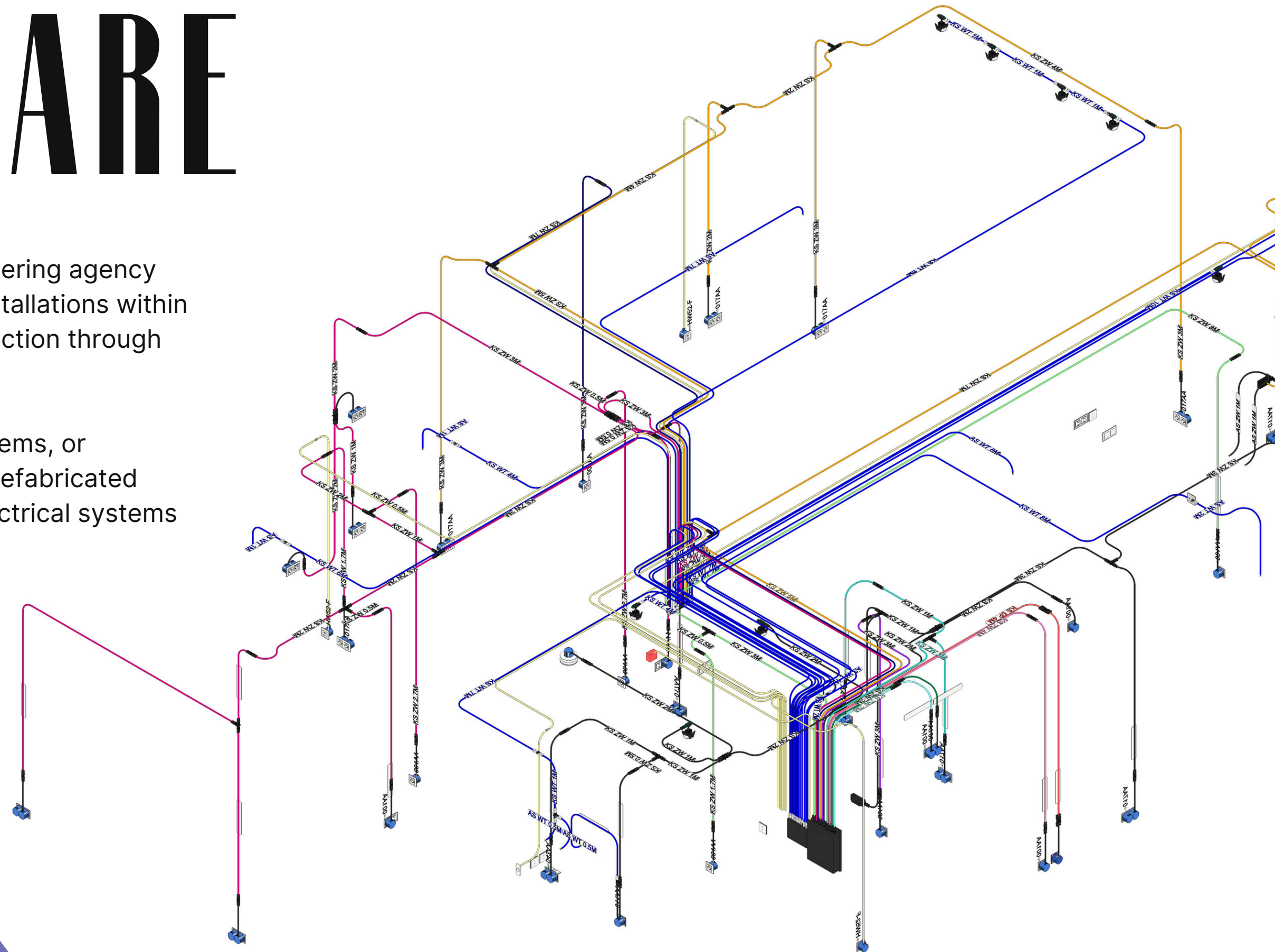
MAKE IT PLUGGABLE

# WHO WE ARE

**Plug and BIM** is a modern and future-oriented engineering agency that focuses entirely on designing and developing installations within a 3D BIM environment. We believe in smarter construction through digital preparation and smart techniques.

Our specialization lies in electrical **plug and play** systems, or pluggable installation. By designing and visualizing prefabricated installations in BIM, we make it possible to realize electrical systems quickly, flawlessly and cost-effectively on location.

Thanks to our combined expertise in technology and digital modeling, we form the link between design and implementation. We provide clear drawings, smart solutions and a streamlined implementation and ready for the construction site of tomorrow.



# MISSION

&

# VISION

At **Plug and Bim**, our mission is to set the standard when it comes to plug-in electrical installations. We help our customers move forward with smart solutions and the support of a committed, professional team. Thanks to our flexible and practical approach, we actively think along and deliver custom work that fits the specific needs of each project. We aim for top quality, speed and cost savings and want to really change the way electrical installations are carried out.



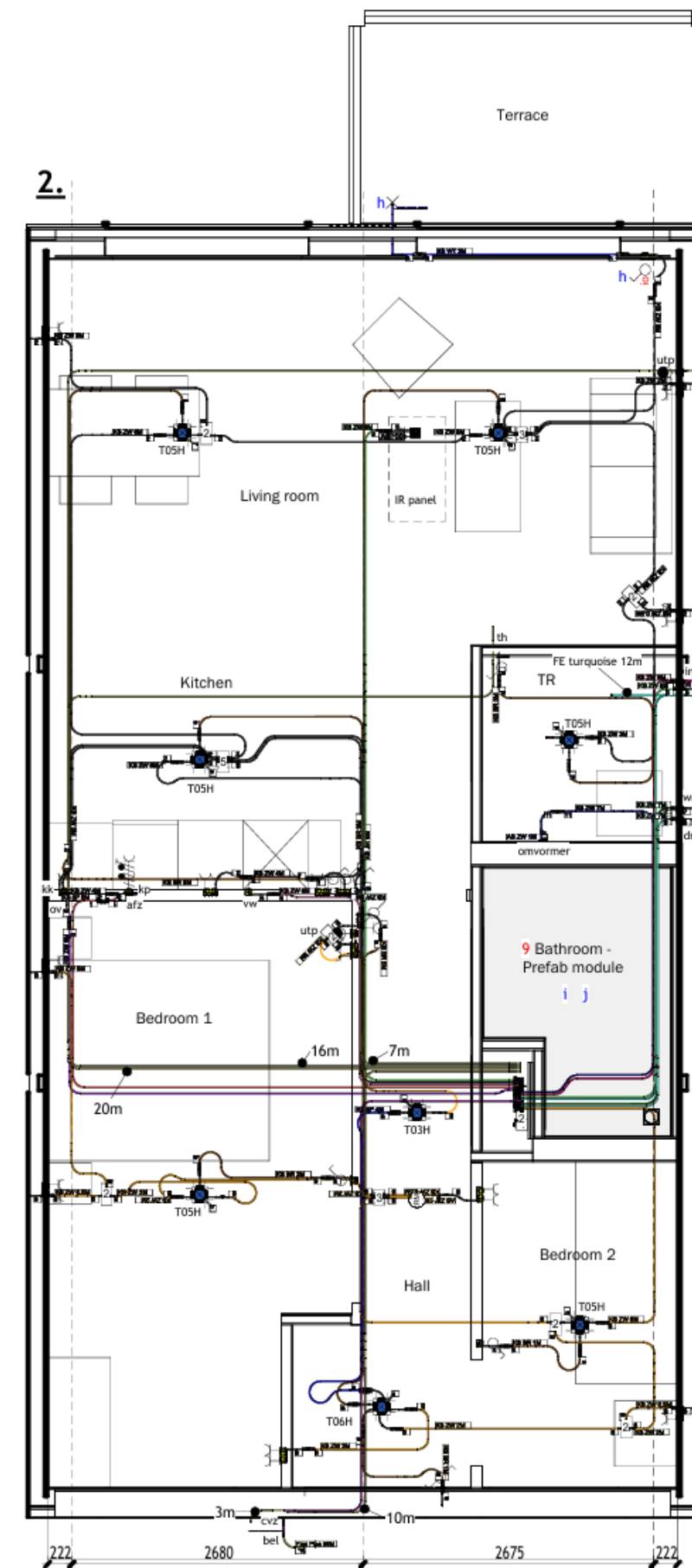
At **Plug and Bim** we look beyond today. We embrace new technologies and trends to actively contribute to the future of the installation industry. We continuously improve and are always looking for smarter ways to work more efficiently, increase comfort and use energy and materials more sustainably. With our focus on growth and sustainability, we want to make a difference not only for end users, but also for our customers. By offering advanced solutions and delivering strong results, we contribute to the sustainable growth of both our customers and their projects.

# WHAT WE DO

At **Plug and Bim** we help you with new construction, renovation and transformation projects with exactly what you need. Whether it is smart engineering, clear 2D or 3D drawings or a well-organized supply? We make sure it is right. With our **Plug and Bim concept** we offer complete support from start to finish. How convenient!

From complete engineering to seamless assembly and logistics services, together with our partners we offer a worry-free experience. The product range includes pluggable distribution boards, cables, switching material and other essential accessories, all of which can be delivered just-in-time or split as needed using our advanced supply chain solutions.

Whether you are building new, renovating an existing installation or completely transforming a space, **Plug and BIM** is ready for you. We think along with you in every step of the process, from design to delivery. Thanks to our smart solutions and clear communication, we make it as easy as possible for you. Discover for yourself how easy and efficient pluggable installation can be and let us help you realize your electrical installation without worries.



**Ceiling Plan - TYPE 1**  
 1. Components Positions  
 2. Electrical Installation

the Electrical groups legend		
#1		Cooking plate
#2		General (Kitchen & living room)
#3		Oven
#4		Dishwasher
#5		IR panel and wp
#6		General (Hall & bedrooms)
#7		Washing machine
#8		Dryer machine
#9		Prefab Bath (separate module)
#10		Interface
#11		Inverter
cv2		External lights
		Switch on/off
		Switch power/Lights
		Flex pipe

Symbols legend		
	Single socket	Single switch distributor
	Double socket	Serie switch distributor
	Perilex 2 phase	Hotel switch distributor
	Single switch	T-Splitter
	Serie switch	1 in 3 out distributor
	Hotel switch	1 in 5 out distributor
	Cross switch	dr Dryer
	Empty flex pipe/box	wm Washing machine
	Empty box with power	kk Fridge
	Light source	kp Cooking plate
	Central box	vw Dishwasher
	IP55 on wall single socket	afz Extractor hood
	On wall double socket	ov Oven
	Fire detector	wp Water pump
		mv Ventilation unit
		pv Solar panel unit
		int Skid interface

PROJECT'S NAME

Project No. \_\_\_\_\_ Project Number \_\_\_\_\_

**13/11/25**

Notes of revisions

V2. Extra double socket in the kitchen. Socket 4 switch instead of single switch in the hall. Light in the balcony changes position. list on a separate group.

V3. Light in the balcony moved to the left side.

AUTHOR : Mariana Pereira

**PLUG & BIM**  
MAKE IT PLUGGABLE!

REVISION NR. \_\_\_\_\_

**V3**

Scale: \_\_\_\_\_ As indicated

**Components Positions & Electrical Installation TYPE 1**

**1.A3.ALBHF**

©2025

ALL RIGHTS RESERVED TO PLUG & BIM BV. NO REPRODUCTION UNLESS WRITTEN CONSENT GIVEN

# SERVICES

## CONSULTING

*At Plug and BIM we believe that a good start is half the battle. That is why we are happy to share our knowledge and experience with you. Whether you are working on new construction, renovation or refurbishment. We think actively to set up your installation as smartly and efficiently as possible.*

## ENGINEERING 3D & BIM

*With 3D visualization we show exactly how the electrical components will be placed in your building from the layout to the cabling and connection. Thanks to BIM we coordinate everything, prevent problems and ensure that your project runs smoothly and efficiently.*

## PRODUCT MODELING IN 3D

*By displaying products virtually, we can better visualize, analyze and integrate them into the design of the electrical system. This makes it easier to choose the right products, place them correctly and coordinate everything with each other, resulting in a system that works perfectly.*

## TURNKEY PLUGGABLE ELECTROTECHNICAL INSTALLATIONS

*With our experience, we tackle every part of your project, from the first idea to the final installation. We think along with you about:*

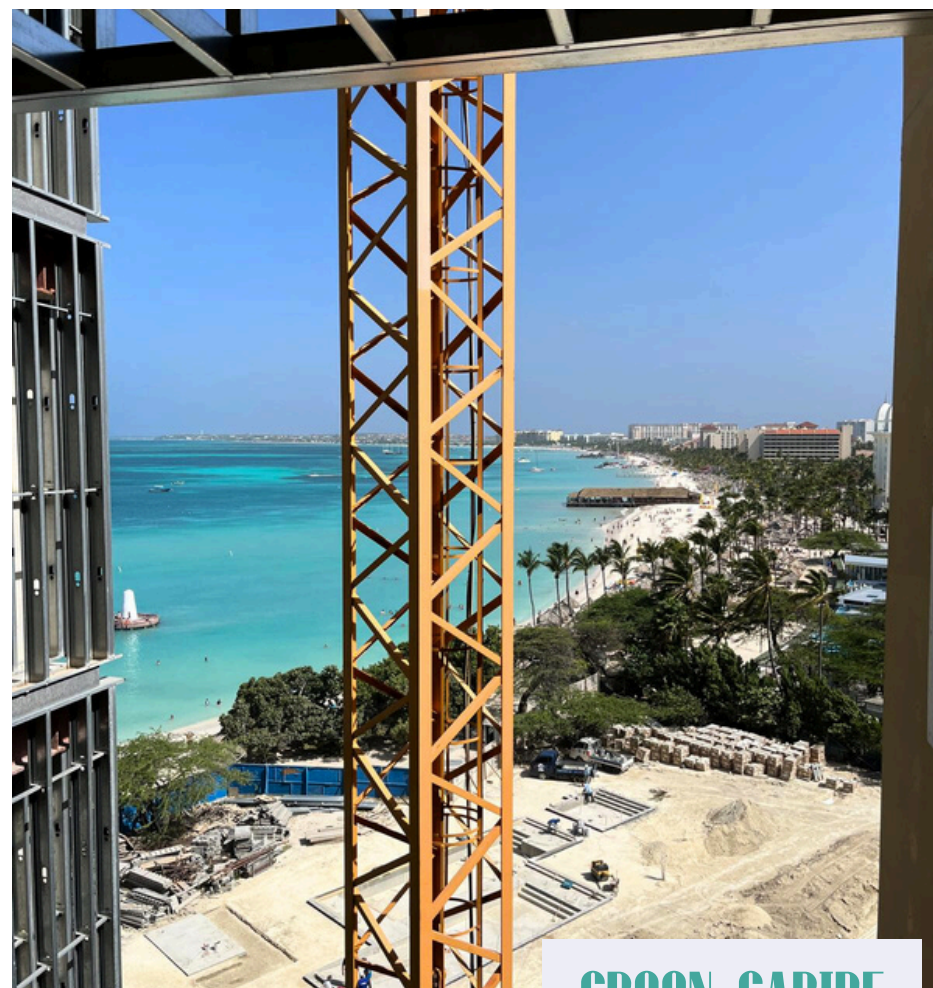
- Consulting
- Engineering
- Calculations
- Products procurement
- Supply Chain Solutions



# PROJECTS & *clients*



HOMES FACTORY



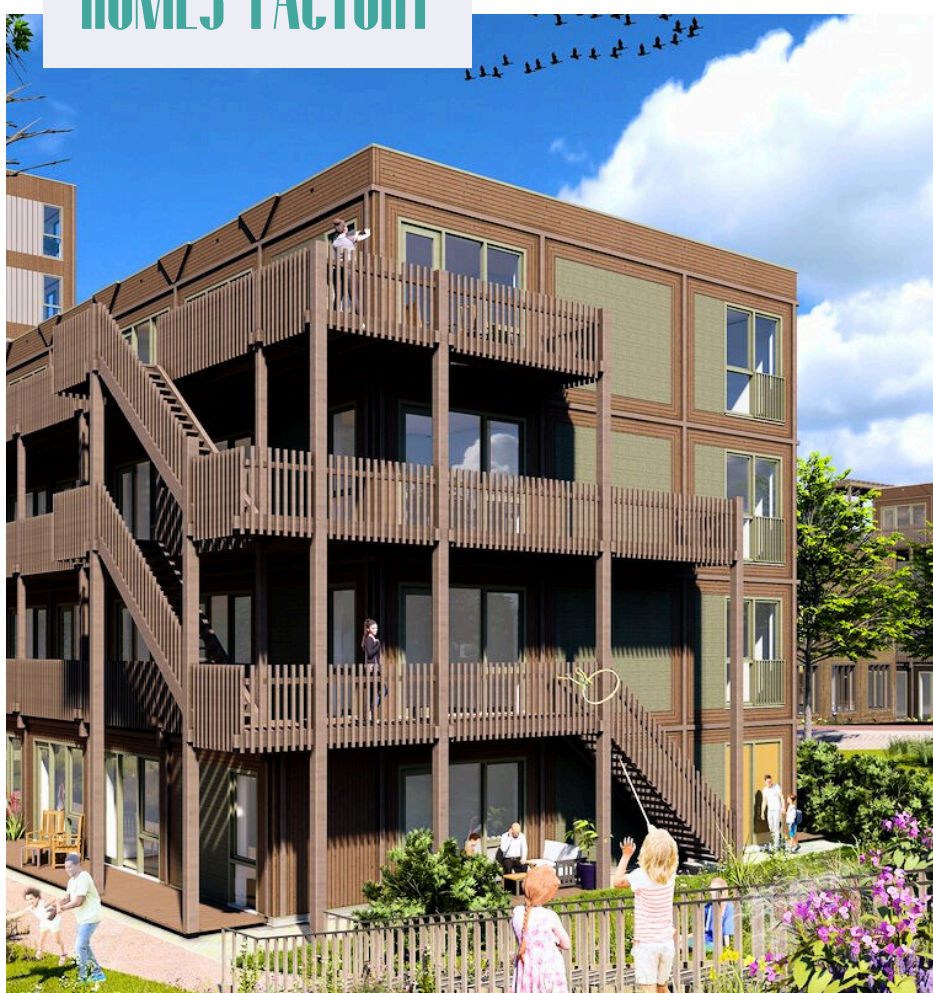
CROON CARIBE



PREWORX



HOLLAND HOUSEBOAT



DURAVERMEER

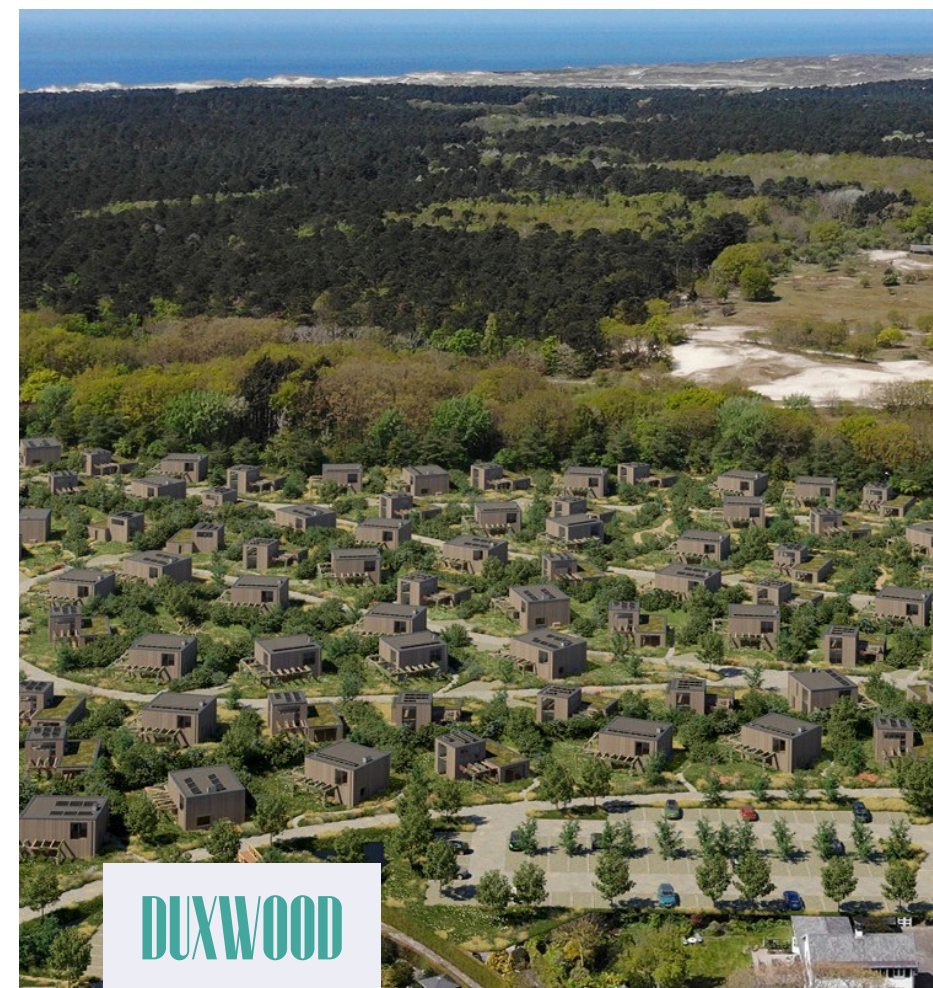




VLUGTENBURG



WOOWN



DUXWOOD



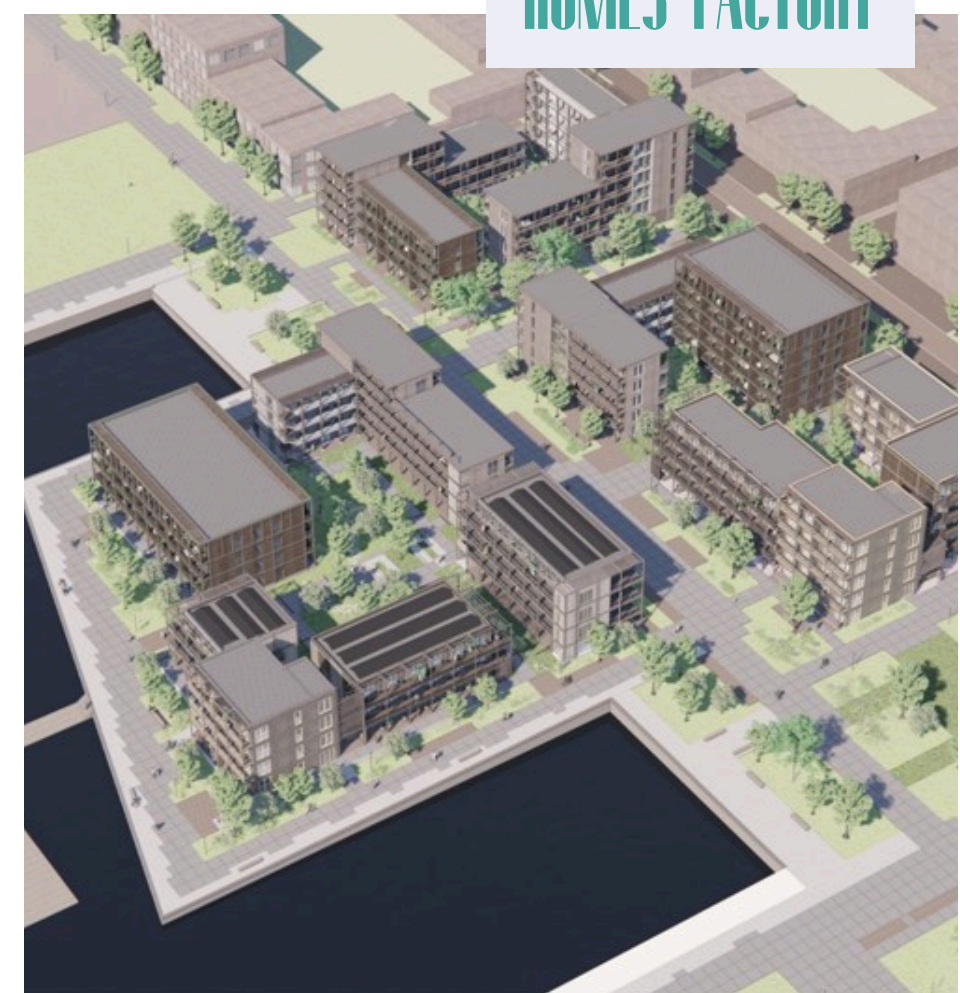
HOMES FACTORY



BINK



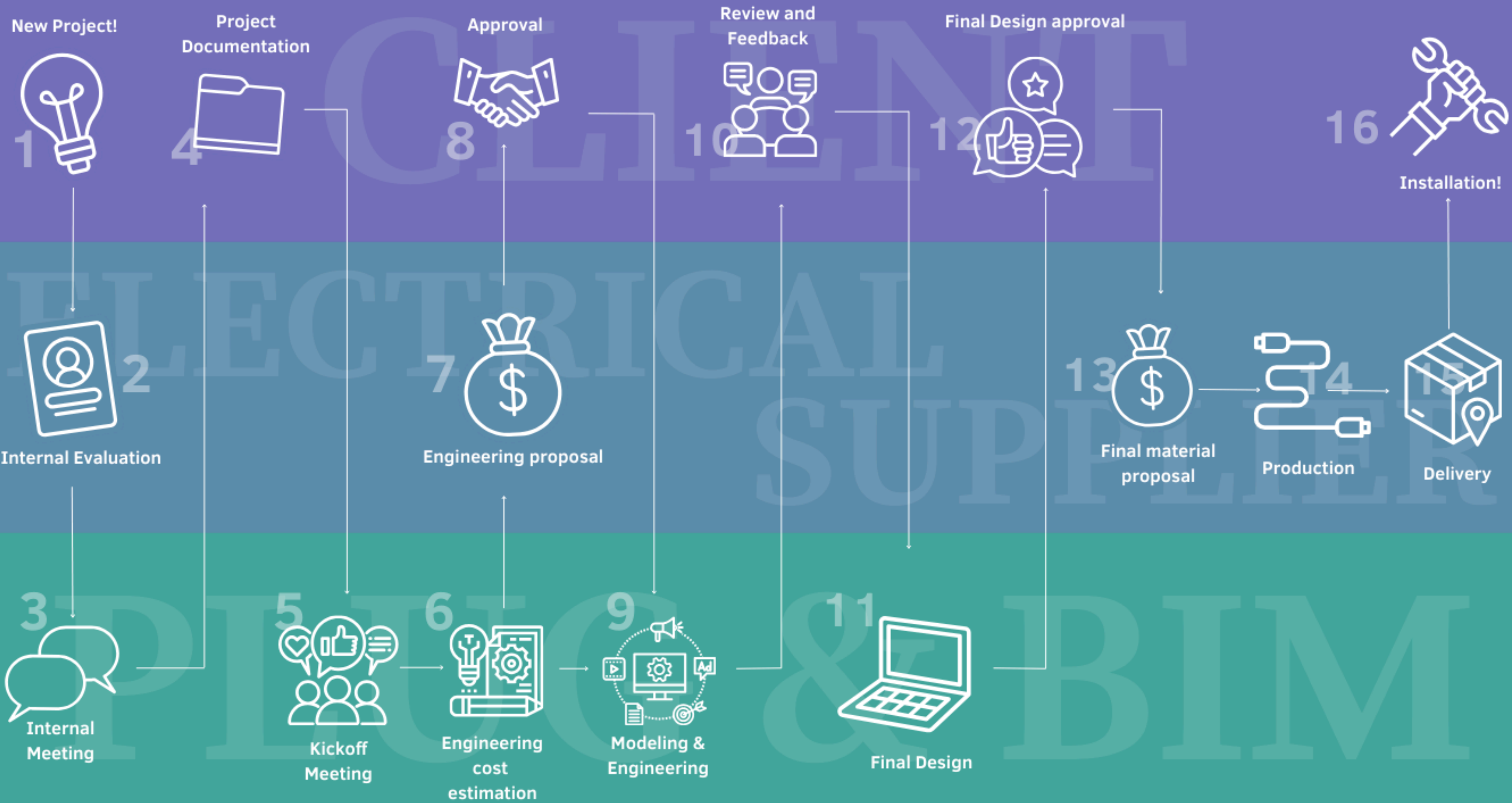
GREENWINNER

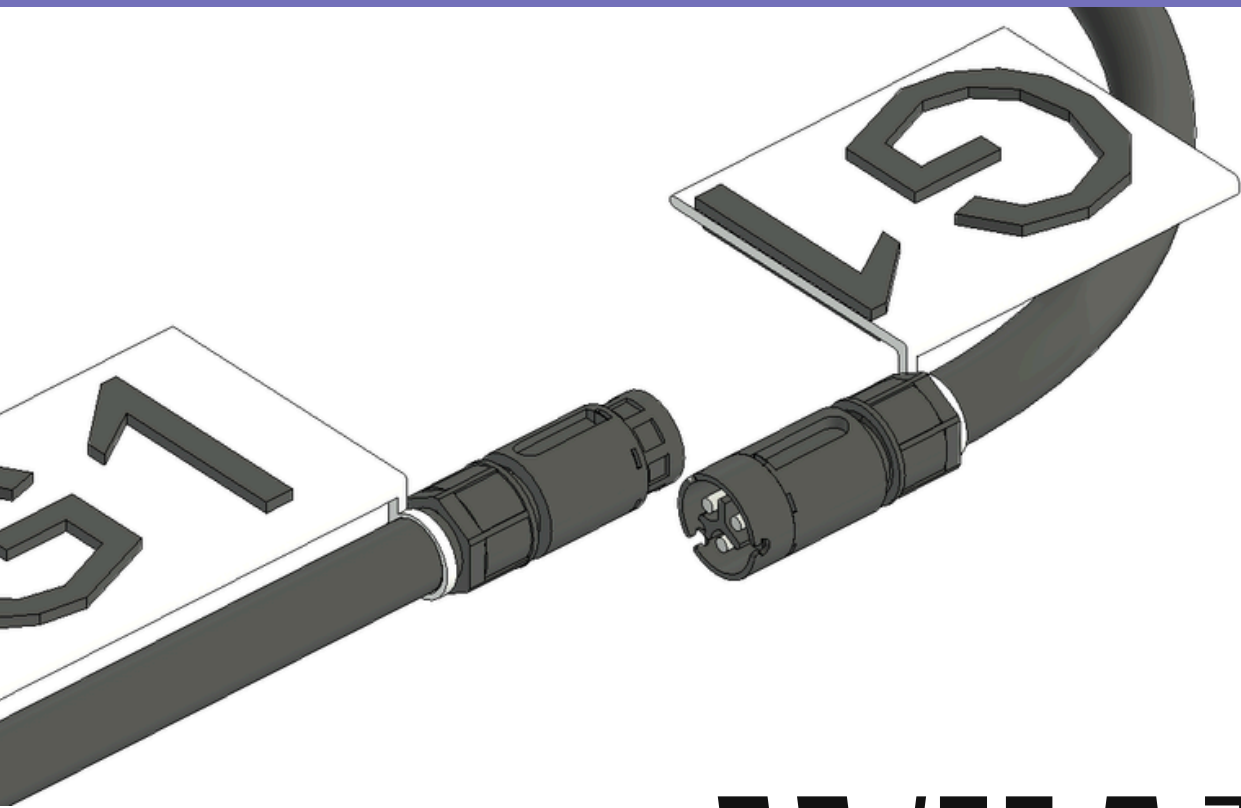


# HOW WE WORK

*collaboration with clients*







# WHAT SETS US APART

*innovation*

# INNOVATION

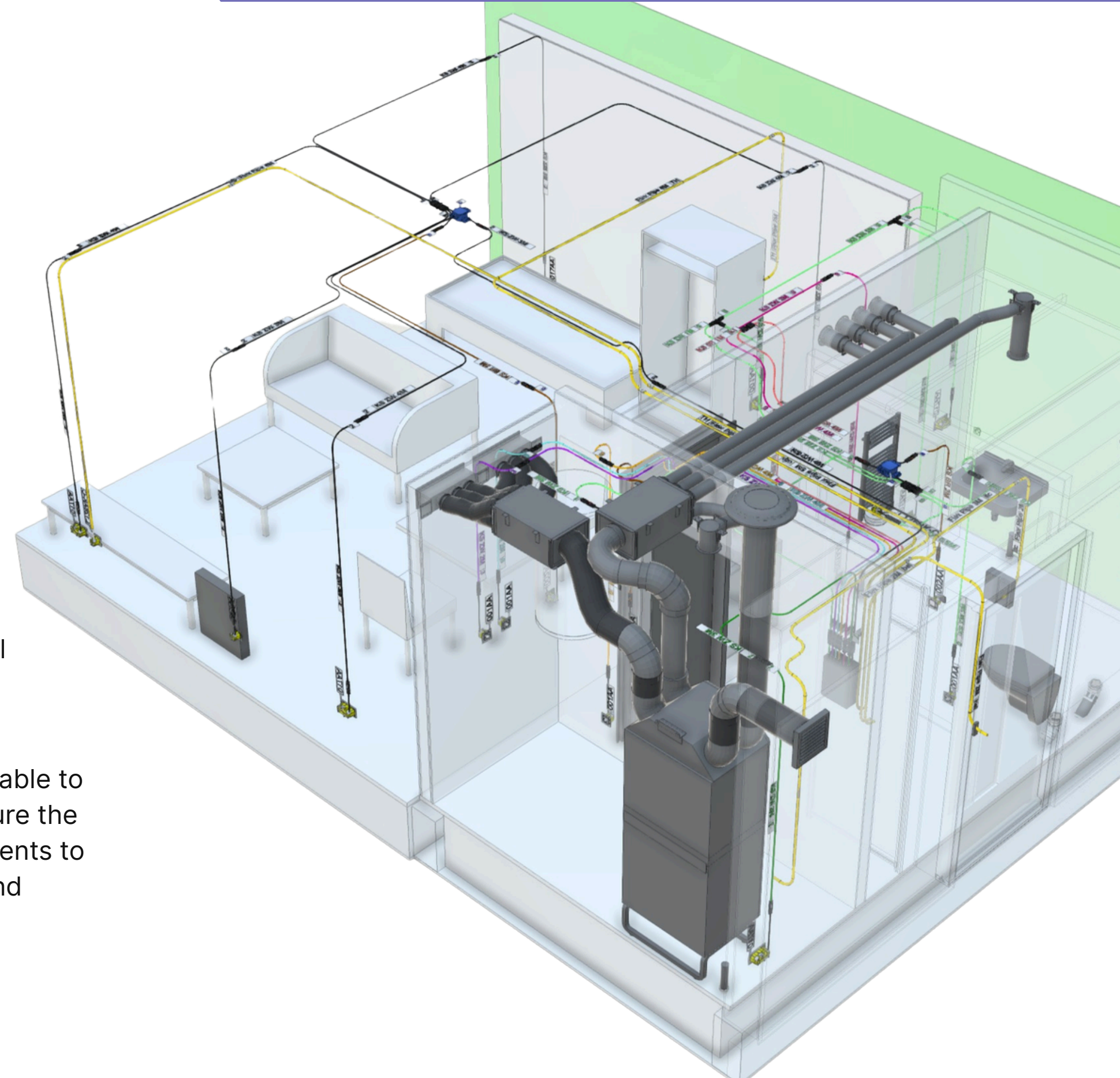
**Plug and BIM** is the first company capable of designing pluggable installation systems fully in Revit and adapting them quickly and efficiently. While other companies may take weeks to create a functional BIM model, **Plug and BIM** delivers this within just a few days.

In addition, we have an extensive component library and the expertise to develop project-specific solutions and custom components in-house, modelled in LOD 500 and technically detailed all the way through to production level.

## But it doesn't stop there!

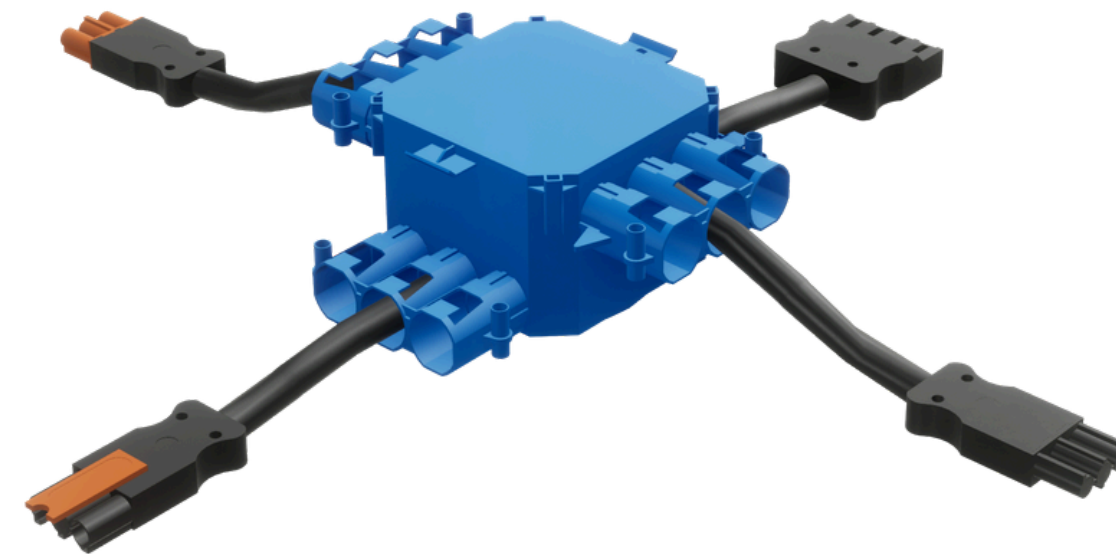
The team behind **Plug and BIM** brings extensive experience in both commercial (utility) construction and residential building. This enables us not only to model and design, but also to advise, support, and actively guide projects.

Thanks to this combination of experience, insight, and advanced tools, we are able to fully integrate into our clients' construction and production processes. We ensure the right coordination between design, engineering, and execution, allowing our clients to fully benefit from the advantages of prefabricated and pluggable installation and construction methods.



# HOW WE CAN SUPPORT

*each other!*



# COLLABORATION

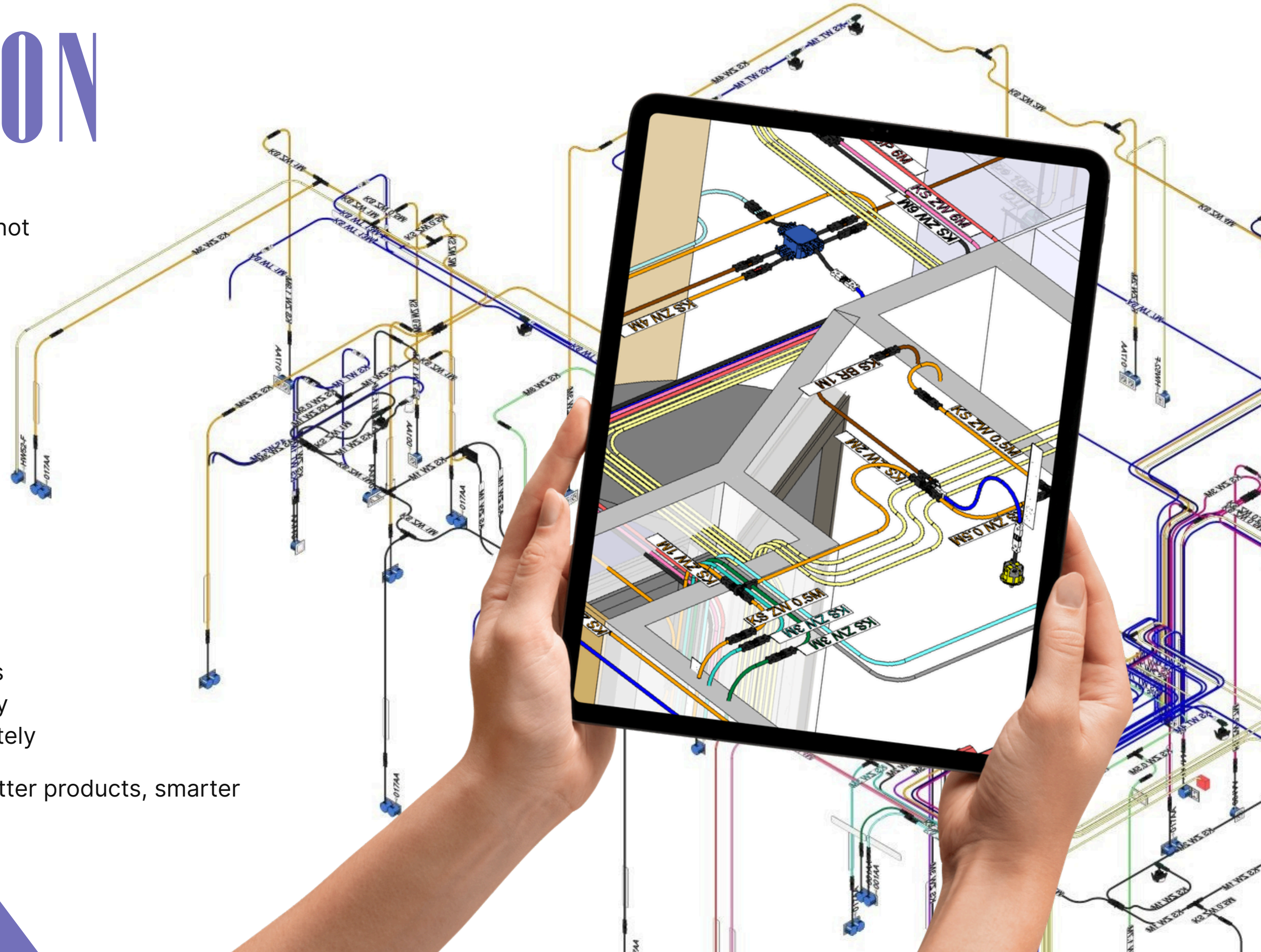
In order to carry out engineering services for you, we not only work on projects, but also collaborate with large market players who are actively looking for innovative products and solutions. **This means that:**

- We combine engineering expertise with market knowledge
- Developments and products from the market can be directly translated into practical, executable solutions
- A strong interaction is created between design, engineering, and product development

## Through this way of working:

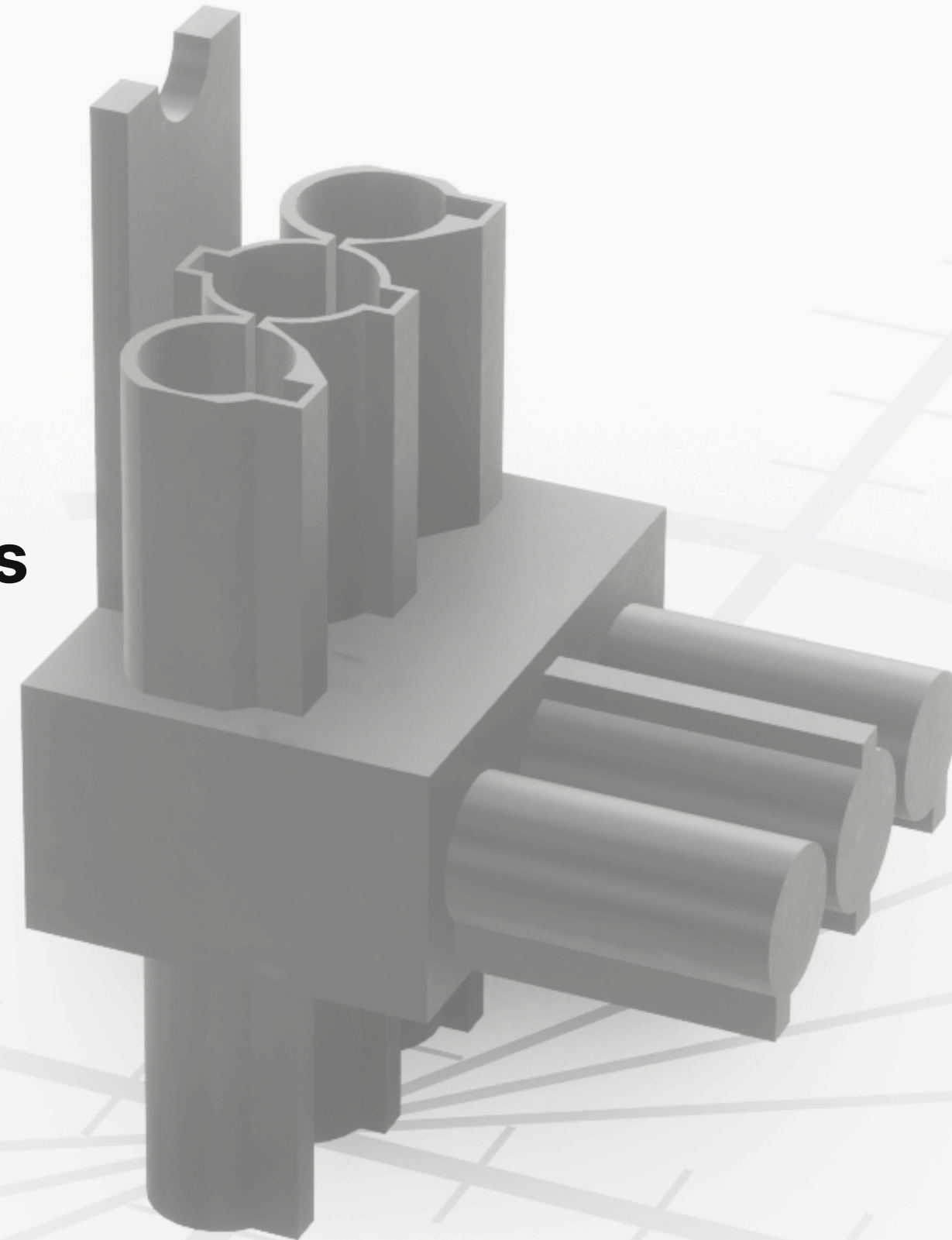
- Clients benefit from better and more efficient solutions
- **Plug and BIM** can design and engineer more effectively
- Together, we achieve more than when working separately

By collaborating and sharing knowledge, we create better products, smarter engineering, and added value for all parties.



# **INTERESTED?**

**Let's Engineer Smarter Systems  
Together!**



# CONTACT US!



CW: +599 96995382



info@plugandbim.com



CURACAO



www.plugandbim.com



# PLUG & BIM

MAKE IT PLUGGABLE